

» Request A Quote for Retractable Roofing

Personal Details

*First Name

Company

*Phone

Fax

Address

City

Zip/Postal Code

Last Name

Province

Cell

*Email

Website

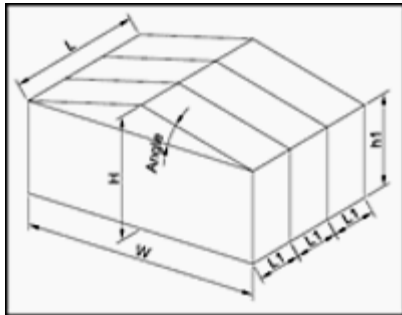
Country

*Required Fields

Type Dimensions (see illustration)

Project Name

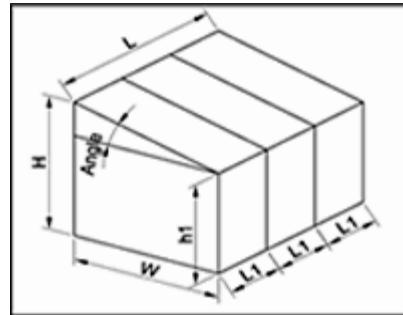
Type



L L1 (if known)

H H1

W Roof Angle/Pitch



Measurements are in

Feet

Meter

Operating System

Motorized
(Preferred)

Manual

Additional Information (If Applicable):

Special building requirements

Notes